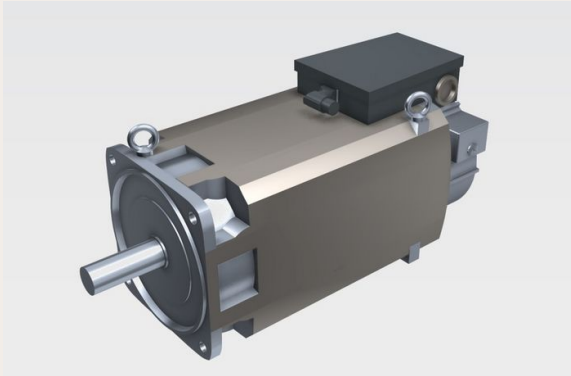


Main spindle motor (Replacement for 1PH8 PT1000)

Availability | Follow-up Components



Series

H

C

F

MCH

MC

MCH-C

Control

SIEMENS Powerline

SIEMENS Solutionline

This retrofit kit contains the materials for converting 1PH7 or DMR132 main spindle motors to the 1PH8 PT1000 Siemens motor.

Characteristics

- _ _ Now available with the Pt1000 temperature sensor
- _ Available as air-cooled or water-cooled motor

Benefits

- _ Guarantees machine availability
- _ Changeover to current 1PH8 PT1000 Siemens motor
- _ Simple commissioning
- _ After the changeover to 1PH8 PT1000 Siemens motor: Simple 1:1 replacement of individual components if spare parts are required